

(440) 238-5498



www.rakalfas.com

12001 Prospect Road • Strongsville, Ohio 44149

May 30, 2012

Bent Tree Homeowners Associations
Strongsville, Ohio 44136

RE: The Graham Residence
13929 Walking Stick Way
Strongsville, Ohio 44136

To Whom It May Concern,

Please accept the following plans for a new deck and roof cover to the Graham Residence located at 13929 Walking Stick Way, Strongsville, Ohio. Please note there was an existing deck approximately the same size which will be removed. If there are any questions please contact our office at (440) 238-5498. We will be able to address any questions or concerns you may have with regards to the proposed deck and roof. We would like the approval of the homeowner's association in writing and either dropped off, mailed to our office, or e-mailed to ckalfas@rakalfas.com, as we will need this approval letter to obtain permits. Thank you in advance for your quick attention to this matter.

Sincerely,

A handwritten signature in black ink that reads "Cortney M. Kalfas". The signature is written in a cursive style.

Cortney M. Kalfas
R.A Kalfas Construction; Office Manager

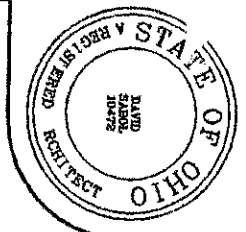
ADDITIONS AND ALTERATIONS FOR:

THE GRAHAM RESIDENCE

13929 WALKING STICK WAY * STRONGSVILLE * OHIO * 44136

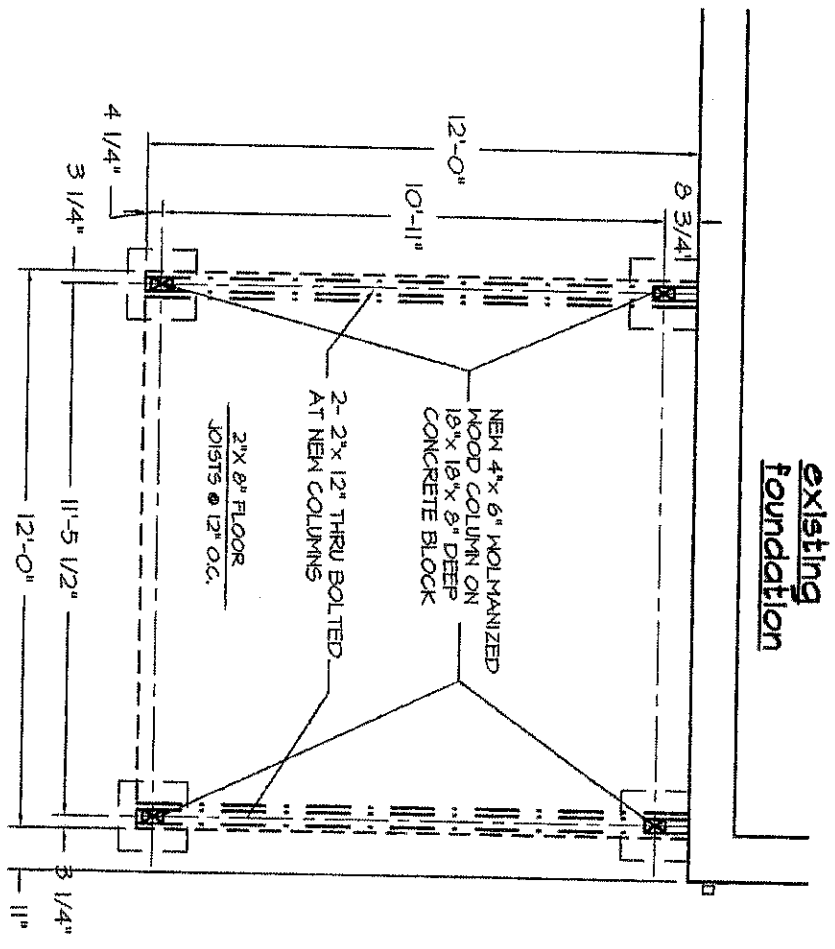
R. A. Kalfas Home Improvement, Inc.

* 12001 Prospect Road * Strongsville * Ohio * 44149 * (440) 238-5498 *



FOUNDATION PLAN

1/4" = 1'-0"



A-1

REVIEW 5-28-12

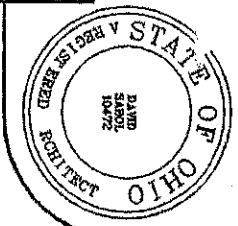
ADDITIONS AND ALTERATIONS FOR:

THE GRAHAM RESIDENCE

13929 WALKING STICK WAY * STRONGSVILLE * OHIO * 44136

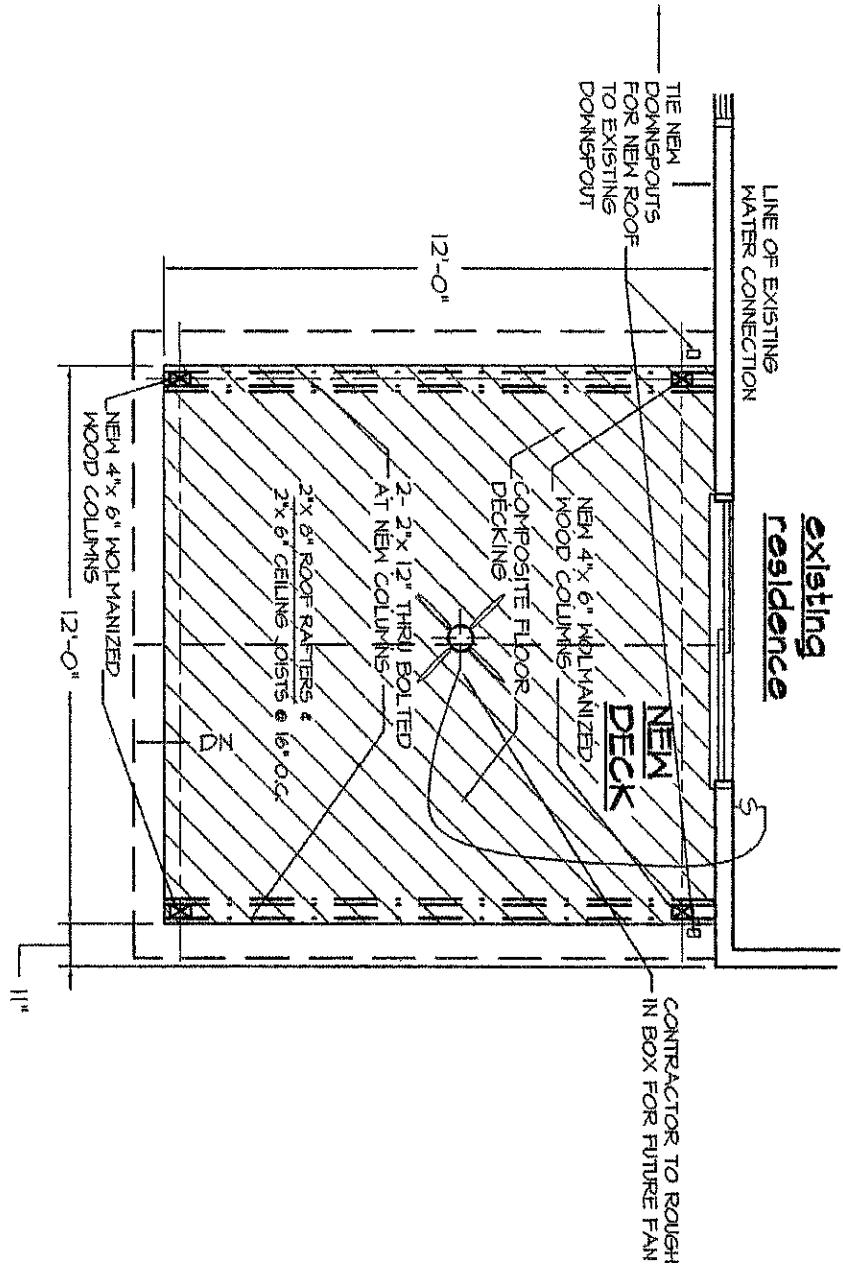
R. A. Kalfas Home Improvement, Inc.

* 12001 Prospect Road * Strongsville * Ohio * 44149 * (440) 238-5498 *



FLOOR PLAN

1/4" = 1'-0"



A-2

REVIEW 5-28-12

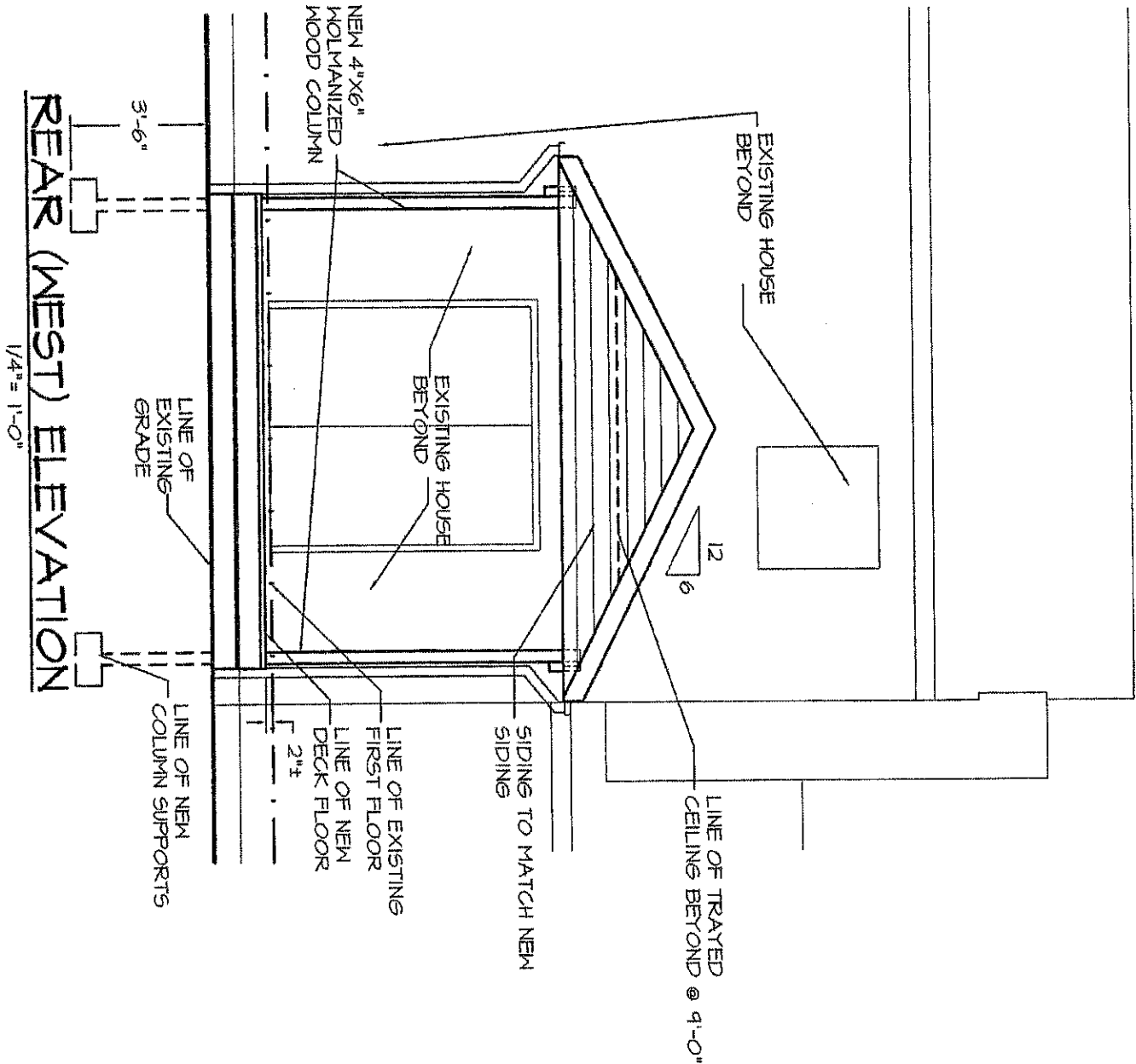
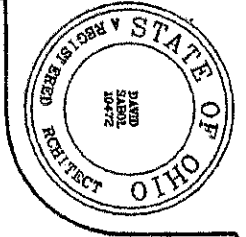
ADDITIONS AND ALTERATIONS FOR:

THE GRAHAM RESIDENCE

13929 WALKING STICK WAY * STRONGSVILLE * OHIO * 44136

R. A. Kalfas Home Improvement, Inc.

* 12001 Prospect Road * Strongsville * Ohio * 44149 * (440) 238-5498 *



A-3

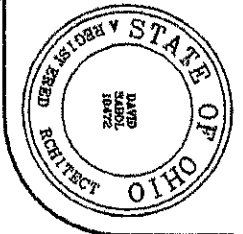
ADDITIONS AND ALTERATIONS FOR:

THE GRAHAM RESIDENCE

13929 WALKING STICK WAY * STRONGSVILLE * OHIO * 44136

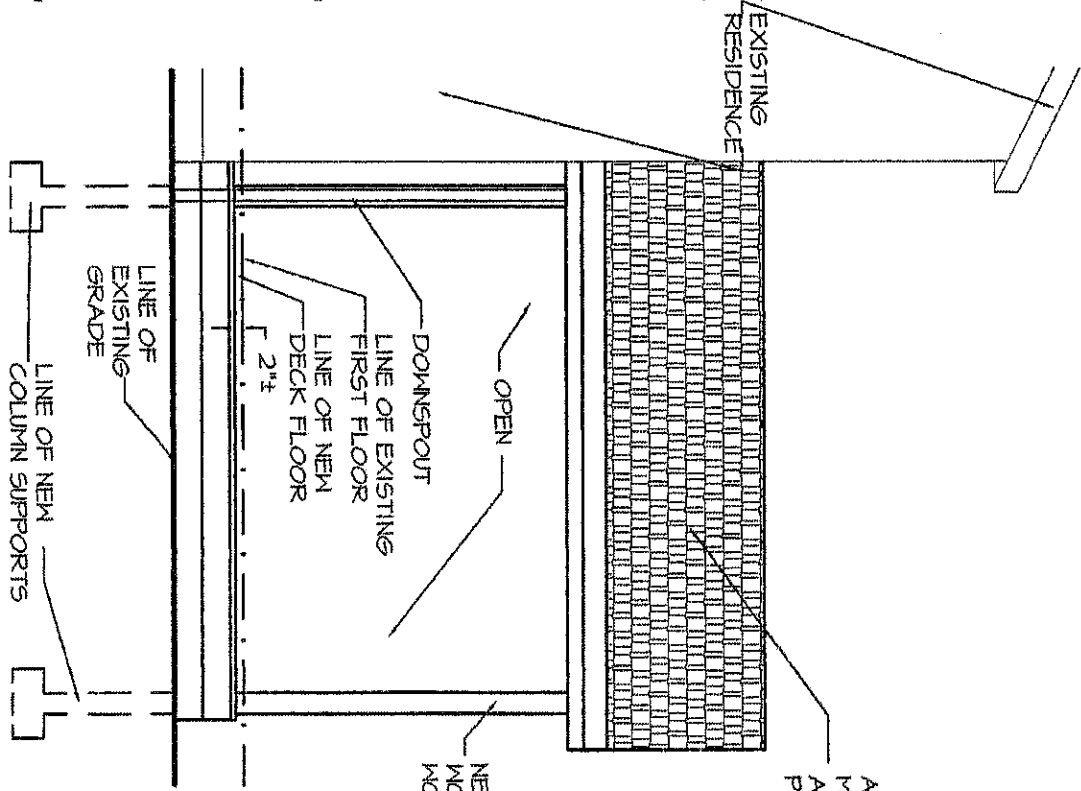
R. A. Kalfas Home Improvement, Inc.

* 12001 Prospect Road * Strongsville * Ohio * 44149 * (440) 238-5498 *



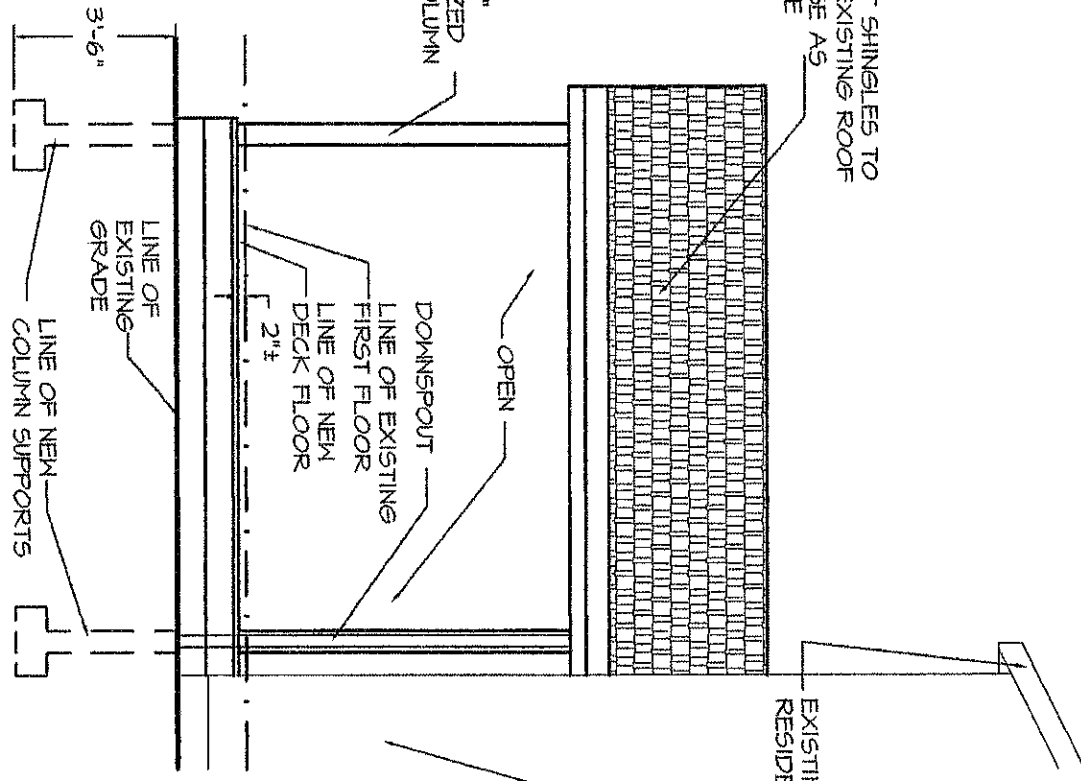
SIDE (NORTH) ELEVATION

1/4" = 1'-0"



SIDE (SOUTH) ELEVATION

1/4" = 1'-0"

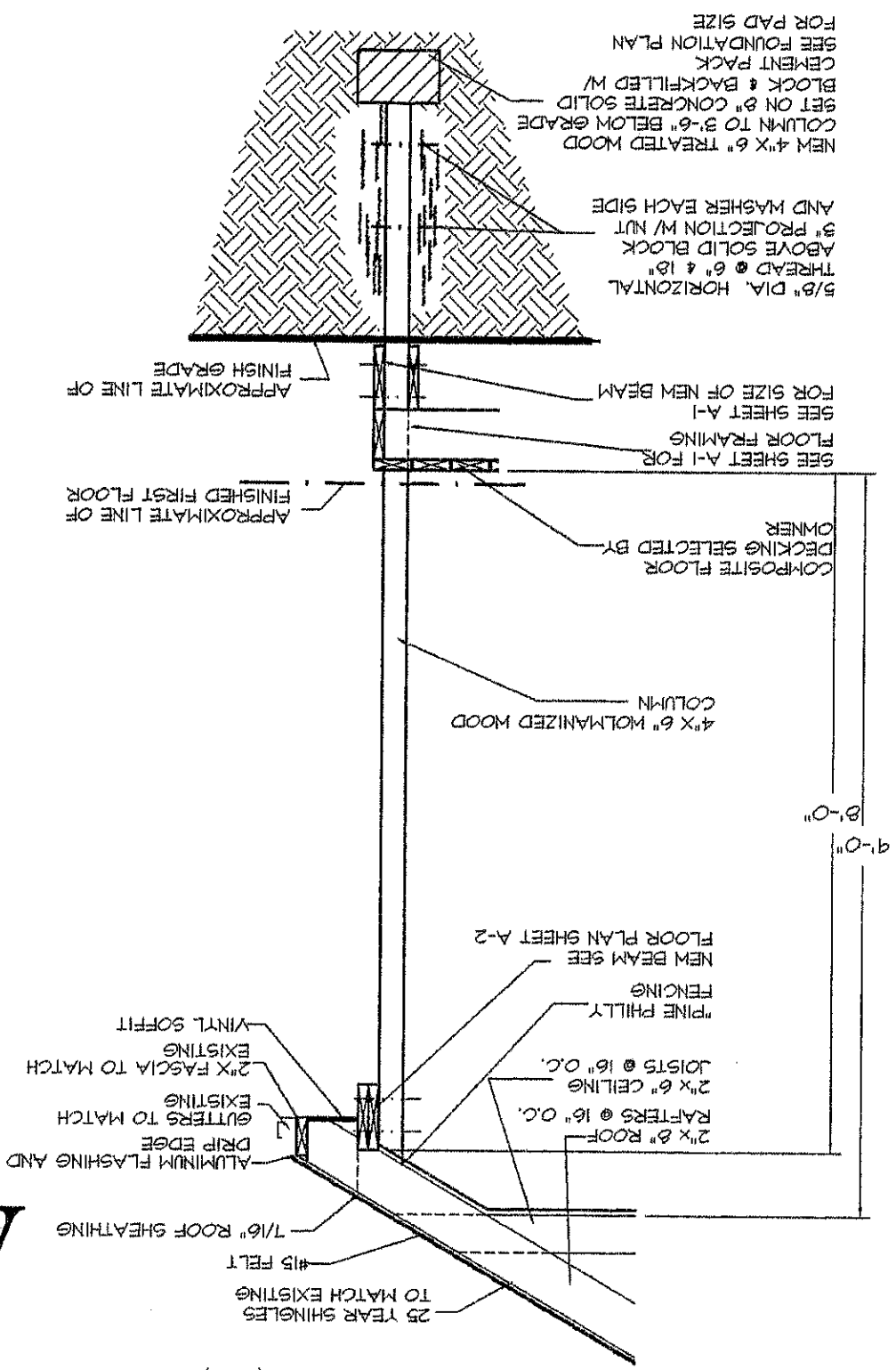


A-4

REVIEW 5-28-12

TYPICAL COLUMN DETAILS

1/2" = 1'-0"



A-5
REVIEW 5-28-12

ADDITIONS AND ALTERATIONS FOR:
THE GRAHAM RESIDENCE
 13929 WALKING STICK WAY * STRONGSVILLE * OHIO * 44136
R. A. Kalfas Home Improvement, Inc.
 * 12001 Prospect Road * Strongsville * Ohio * 44149 * (440) 238-5498 *

